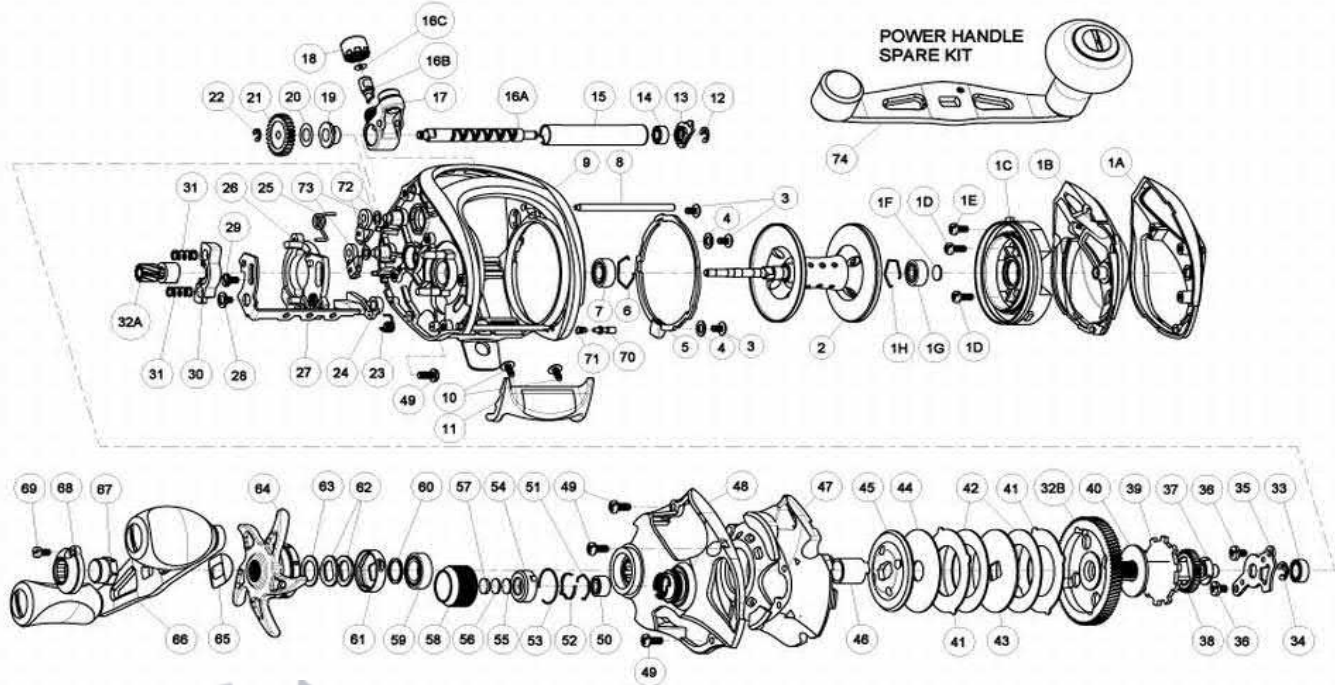


QUANTUM

Exo EX301SPT



Quantum EX301SPT Bait Cast Reel Part List

Key #	Description	Qty	Part No.	Key #	Description	Qty	Part No.
1	Palm Side Cover Kit include	1	QB4023-01	33	Crank Shaft Ball Bearing - L	1	SW017-01
	1A - Palm Side Cover	1	N/A	34	E-Clip	1	QW120-01
	1B - Palm Side Cover Insert	1	N/A	35	Crank Shaft Retainer	1	NB002-01
	1C - Spool Cover Assembly	1	N/A	36	Crank Shaft Retainer Screw	2	JX107-04
	1D - Spool Cover Screw A	2	N/A	37	Crank Shaft	1	PB008-02
	1E - Spool Cover Screw B	1	N/A	38	O/S Drive Gear	1	PW112-01
	1F - Spool Tension Shim	1	N/A	39	Trip Ratchet	1	NB083-01
	1G - Spool Shaft Ball Bearing - Palm	1	N/A	40	Trip Ratchet Washer	1	NB111-01
	1H - Clip Ring	1	N/A	41	Drag Key Washer	2	NB048-01
2	Spool Assembly	1	PB321-02	42	Drag Disc - A	2	NB059-01
3	Side Cover Locking Plate Screw	3	QW053-09	43	Drag "D" Washer	1	PB045-01
4	Side Cover Locking Plate Washer	2	QW035-01	44	Drag Disc - B	1	PB059-01
5	Side Cover Locking Lever Assembly	1	QB362-01	45	Drag Washer	1	NB045-01
6	Clip Ring	1	EX080-01	46	One Way Clutch Sleeve	1	UX052-01
7	Spool Shaft Ball Bearing - Gear	1	EX017-02	47	Gear Side Cover Insert	1	QB143-01
8	Stabilizer Bar - A	1	PB061-01	48	Gear Side Cover Assembly	1	QB324-04
9	Frame Assembly	1	RB301-02	49	Gear Side Cover Screw	4	RF057-03
10	Thumb Bar Screw	2	CW125-01	50	Tension Knob Ball Bearing	1	SW117-01
11	Thumb Bar	1	PB009-01	51	Tension Knob Ball Bearing Clip Ring	1	PW080-01
12	E-Clip	1	NX092-01	52	Tension Knob Click Spring	1	PW114-01
13	Bearing Retainer	1	LB067-01	53	Tension Knob Click Ratchet Retainer	1	YW080-01
14	Worm Shaft Ball Bearing	1	XX117-01	54	Tension Knob Click Ratchet	1	PW113-01
15	Worm Shaft Guide	1	PB016-01	55	Spool Tension Washer	1	QW032-04
16	Worm Shaft Kit Include	1	PB4072-01	56	Spool Tension Support Washer	1	PW032-01
	16A - Worm Shaft	1	N/A	57	Spool Cushion Washer	1	EX082-02
	16B - Line Guide Pawl	1	N/A	58	Spool Tension Knob	1	PW033-05
	16C - Line Guide Carrier Washer	1	N/A	59	Crank Shaft Ball Bearing	1	TW058-01
17	Line Guide Carrier Assembly	1	PB347-01	60	Crank Shaft Ball Bearing Washer	1	TW035-02
18	Line Guide Carrier Screw	1	ZW007-01	61	Drag Click Spring Assembly	1	YX4114-02
19	Worm Shaft Bushing - Gear Side	1	PW068-01	62	Spring "D" Washer	2	JX046-01
20	O/S Pinion Gear Washer	1	EX035-01	63	Star Drag Washer	1	ZW032-01
21	O/S Pinion Gear	1	NB085-01	64	Star Drag	1	FW055-08
22	E-Clip	1	NX090-01	65	Handle Washer	1	NX054-01
23	Kick Lever Spring	1	MX097-01	66	Handle Assembly	1	NB318-04
24	Kick Lever	1	FW077-01	67	Handle Nut	1	DW003-06
25	Release Slider Spring	1	FW104-01	68	Handle Nut Cap	1	DW034-02
26	Release Slider	1	QB039-01	69	Handle Nut Cap Screw	1	DW050-02
27	Release Slider Link	1	RB036-01	70	Locking Lever Stopper	1	NB093-01
28	Release Slider Screw	1	CX076-03	71	Locking Lever Stopper Spring	1	NB040-01
29	Release Slider Link Screw	1	EW125-02	72	Anti-Reverse Pawl Washer	2	KV121-02
30	Pinion Yoke	1	NB025-01	73	Anti-Reverse Pawl Assembly	2	NB363-01
31	Yoke Spring	2	GX040-01	74	Power Handle Kit	1	PB318-02
32	Gear Kit Include	1	PB4011-04				
	32A - Pinion Gear	1	N/A				
	32B - Drive Gear	1	N/A				